

## Si-RM3

# Smart wireless manifold P/T probes with dual valves



### DEVICE KEY FEATURES

Smart wireless manifold probes for pressure and temperature measurements in a refrigeration system.

- Light and curved design for easy plug-in to facilities
- Dual valve system for simultaneous measurement **and** charge/discharge of refrigerant
- Built-in Schrader® cores for easy refrigerant charging
- Range up to 60 bar (870 psi)
- Reduce the use of cumbersome hoses
- Overmoulding for easy handling and protection
- Two temperature clamps
- Long range Bluetooth® 4.2 low energy **Bluetooth®**



### SI-MANIFOLD APP KEY FEATURES

#### General features

- Clear interface for easy reading in any condition
- Gauge, table or graphic visualizations
- Creation of measurements report with possibility to add pictures
- Report exportation in PDF, CSV and XML formats
- Data logging
- Chronometer function
- Free app for iOS and Android devices

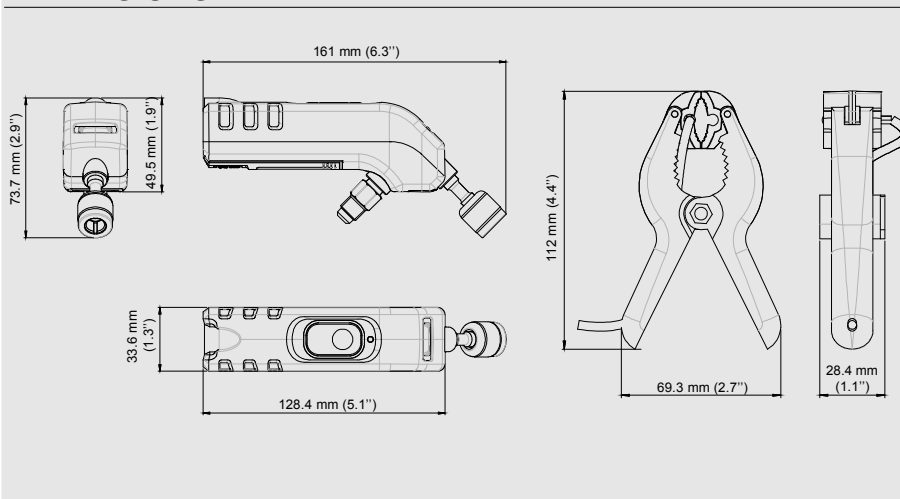
#### Manifold features

- Superheat and subcooling real time calculation
- Configuration of superheat/subcooling target values
- Heating and cooling functions
- 124 refrigerant gases with favorite list

#### Vacuum features

- Vacuum measurement function
- Configuration of vacuum target value
- Temperature of water evaporation

### DIMENSIONS



### HOUSING

#### Weight

560 g (4.8 oz)

#### Control

1 on/off button

#### Material

Pressure gauges: ABS – PC and thermoplastic elastomer  
Temperature clamps: polyamid 6.6

#### Batteries power supply

3 alkaline AAA 1.5 V batteries

#### Protection

IP 54

## TECHNICAL FEATURES

### Pressure

Pressure valves	2 valves
Measuring range	From -1 to 60 bar (-14 to 870 psi)
Pressure sensing accuracy*	±0.5% of full scale
Available units	psi, MPa, kPa, bar, Foot of head
Resolution	0.1 psi, 0.001 MPa, 1 kPa, 0.01 bar, 1 foot of head
Overload	65 bar (943 psi)
Burst pressure	150 bar (2175 psi)
Operating temperature	From -20 to 50°C (-4 to 122°F)
Storage temperature	From -20 to 60°C (-4 to 140°F)

### Temperature

Number of probe	2 clamp probes
Temperature sensors	High accuracy NTC thermistors
Temperature sensor range	From -40 to 150°C (-40 to 302°F)
Temperature accuracy*	±1.3°C (±2.4°F)**
Maximum operating temperatures	Jaws: 150°C (302°F) - Cable: 105°C (221°F)
Available units	°C, °F, K
Resolution	0.1°C, 0.1°F, 0.1 K
Pipes diameter	From 6 to 42 mm (0.2" to 1.7")
Cable	2 m (6 ft) length with strengthened Jack connector
Operating temperature	From -20 to 50°C (-4 to 122°F)
Storage temperature	From -20 to 60°C (-4 to 140°F)

### Device

Environmental conditions of use	Hygrometry: in non-condensing condition Maximum altitude: 2000 m (6561') Non-corrosive or combustible gases
Battery life	250 h (for one measurement every seconds @ 20°C / 68°F)
Bluetooth®	Class 1 Bluetooth® 4.2
Bluetooth® range	Up to 30 m (98 ft) - Depending on smartphone and tablet Bluetooth® radio strength.
Superheat and subcooling	Automatically calculated by the Manifold app
Refrigerant database	124 refrigerant gases
Connections	To installation: female ¼" FFL with Schrader® depressor To flexible: male ¼" MFL with Schrader® valve
Standards	2011/65/EU RoHS II; 2012/19/EU WEEE; 2014/30/EU EMC; 2014/53/EU RED

\*All accuracies specified in this document were conducted under laboratory conditions & can be guaranteed for measurement carried out in the same conditions, or carried out with calibration compensation.

\*\*The temperature accuracy is given for the -20 to 80°C / -4 to 176°F range.

---

## KIT CONTENT

---

- 2 pressure probes. *Ref: Si-RM1*
- 2 temperature probes. *Ref: Si-RM2*
- Certificate of Conformity
- Simplified User Manual
- 6 AAA batteries
- Elastomer rings
- Soft case. *Ref: Si-RM4*



---

## OPTIONS

---

- Set of three flexible hoses of 1m length (39") with stop valves. *Ref: ACC25831*
- Adaptation connector for R410 gas. *Ref: ACC25830*



---

## WARRANTY

---

Devices have a 1-year manufacturer extended warranty. See conditions on [warranty.sauer mann group.com](http://warranty.sauer mann group.com)

---

## PRECAUTIONS FOR USE

---

Please always use the device in accordance with its intended use and within parameters described in the technical features in order not to compromise the protection ensured by the device.